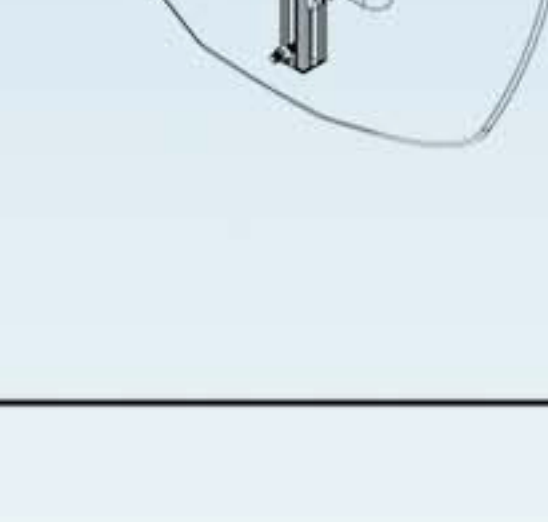
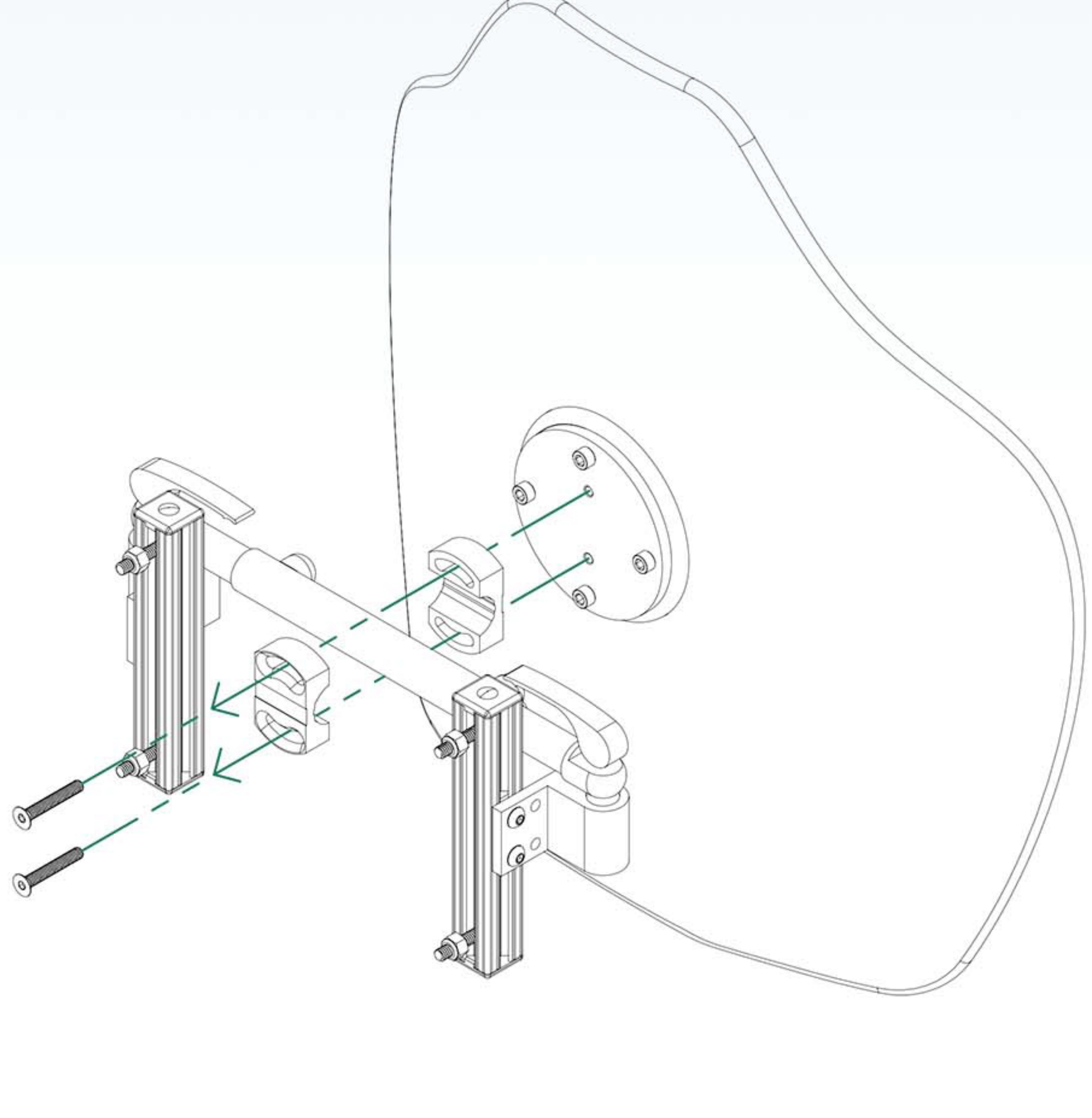


	Description	Qty.
A	Matrix Custom Back	1
B	Surface Mount	2
C	Crossbar	1
D	Ultra Lightweight Mounting Hardware	1
E	Power Wheelchair Adapter Bars	2
F	Power Wheelchair Back Plate	-
G	1/4 - 20 Lock Nut	4
H	1/4 - 20 screw, 1-1/2" length	4
I	Sliding T-nut	2
J	1/4 - 20 screw, 1/2" length	4
K	Extrusion End Caps	2
L	M6x1mm x 40mm 90 Countersink	2

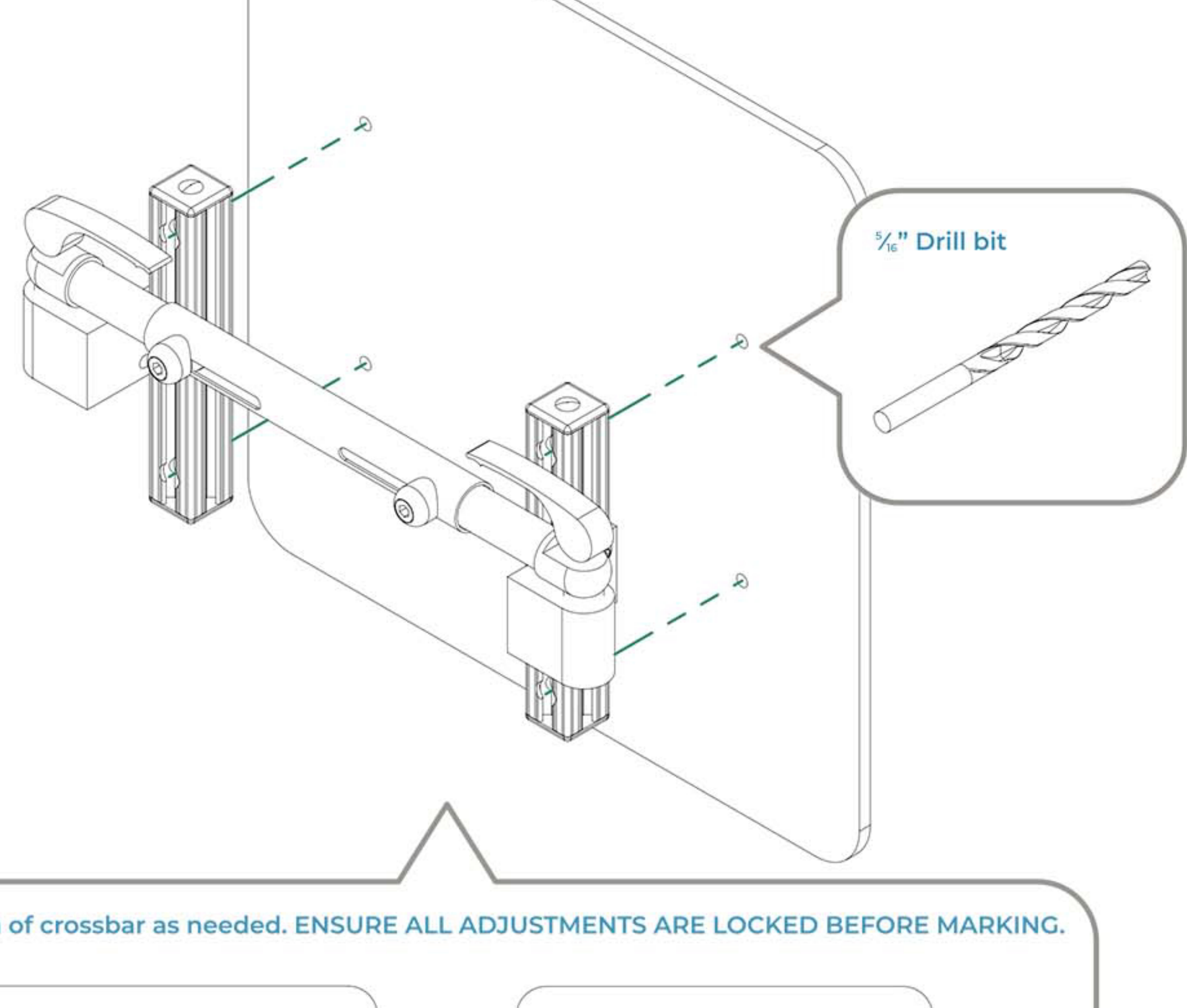
Back as received:



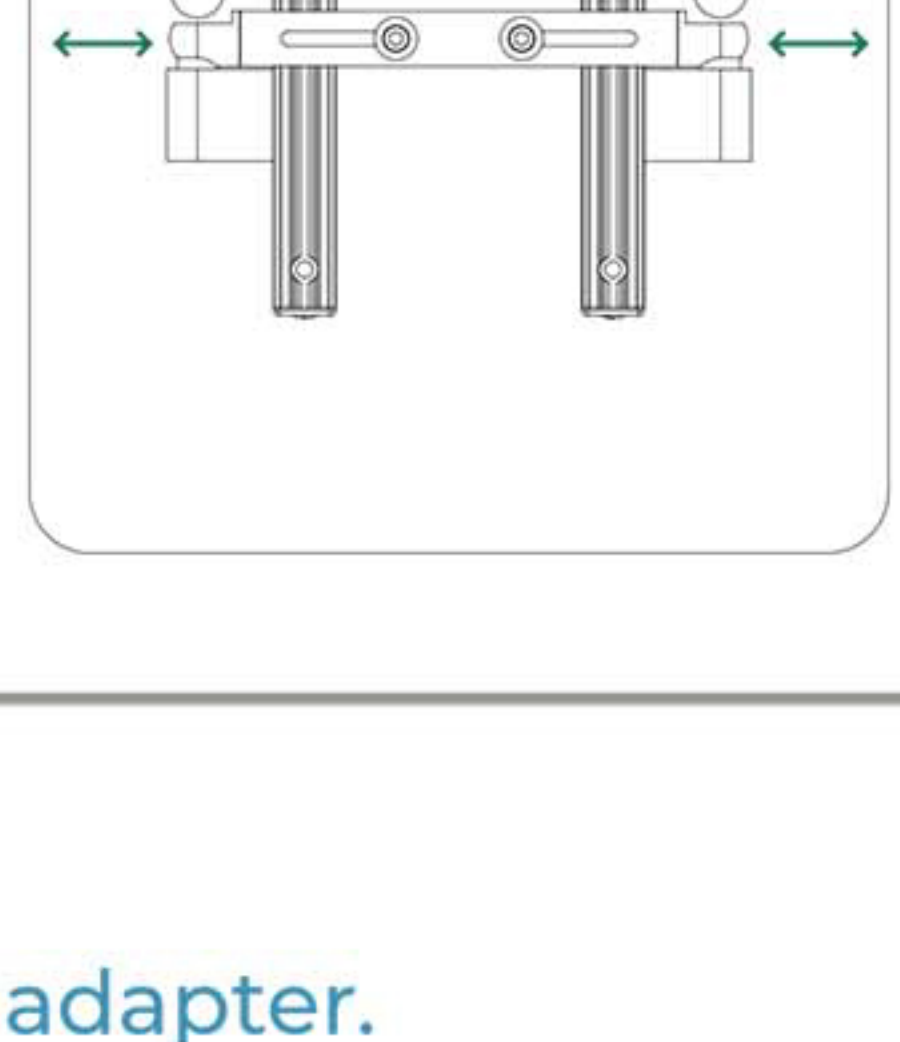
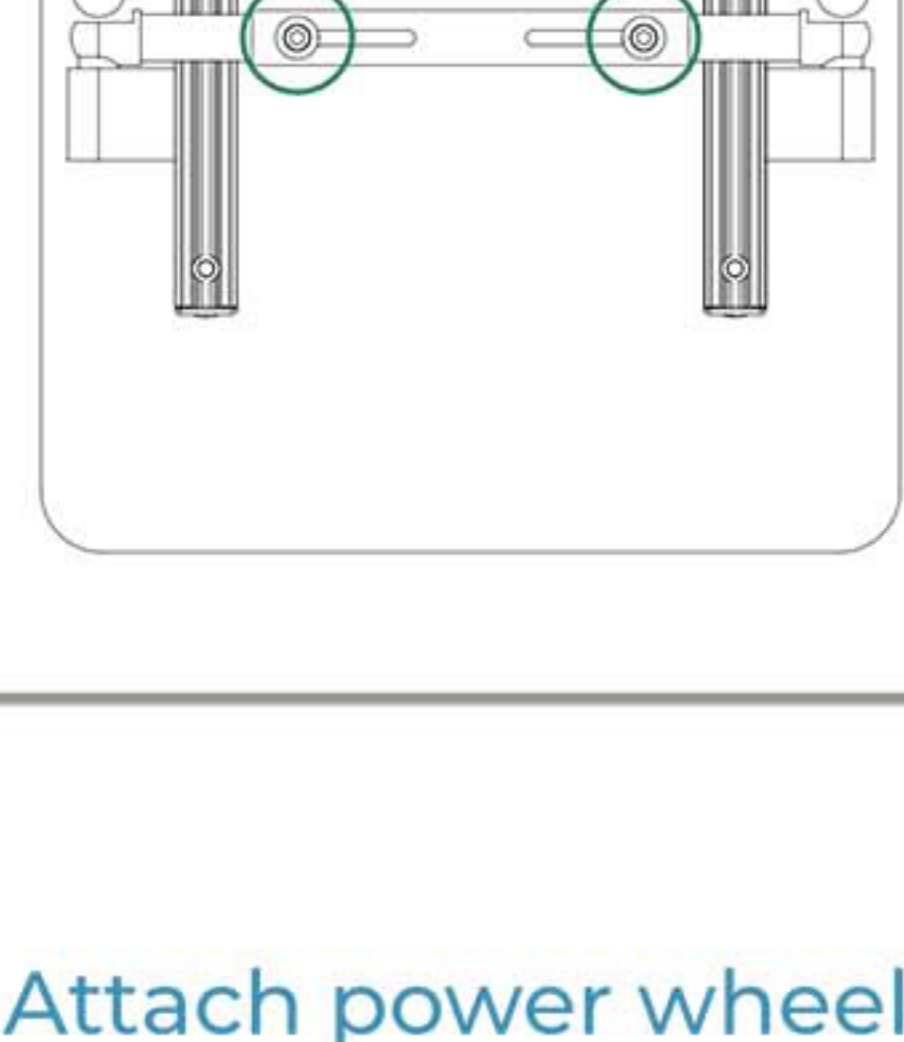
1 Remove lightweight hardware.



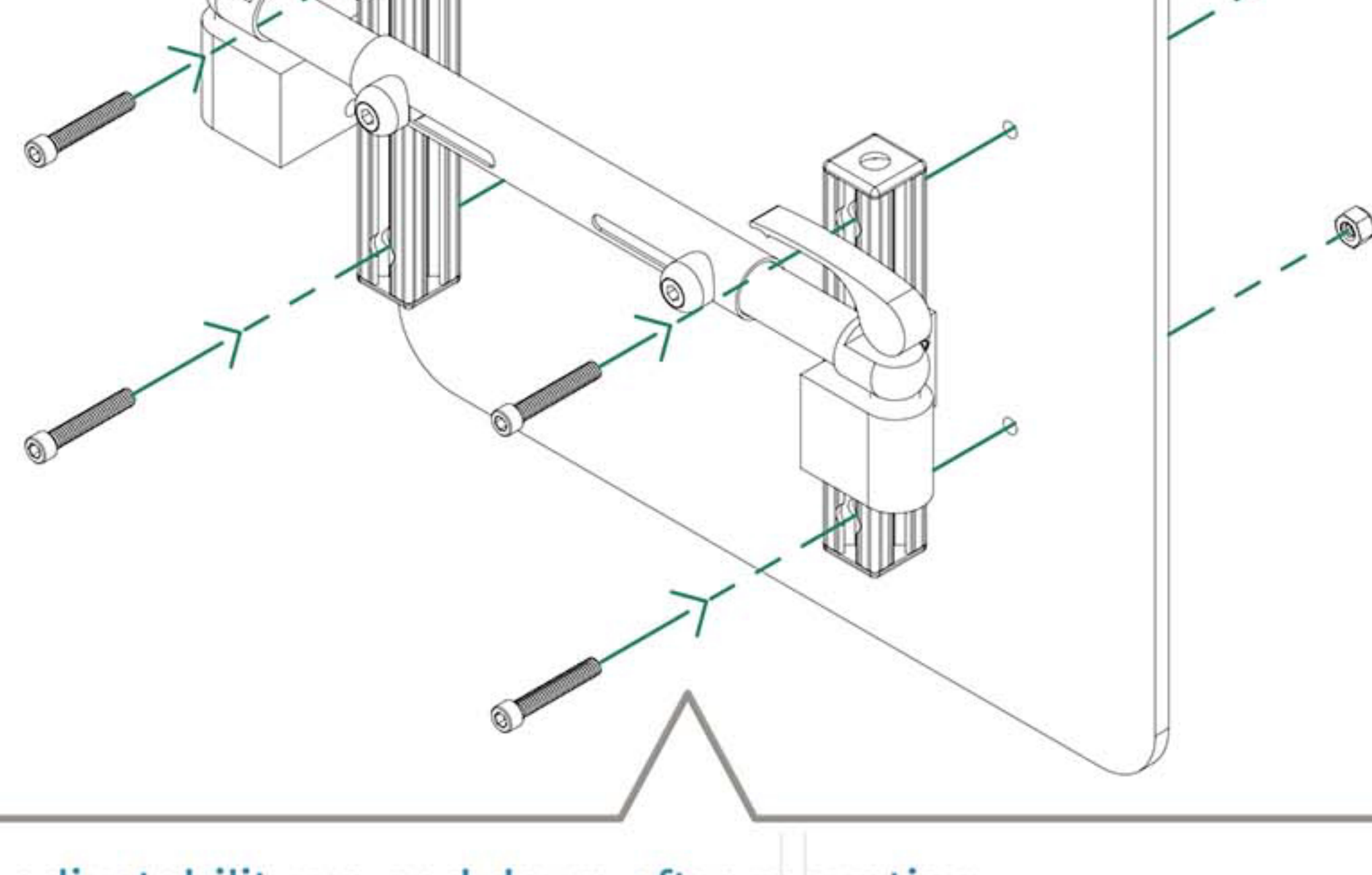
2 Mark and drill mounting holes on to wheelchair.



Adjust width of crossbar as needed. ENSURE ALL ADJUSTMENTS ARE LOCKED BEFORE MARKING.



3 Attach power wheelchair adapter.

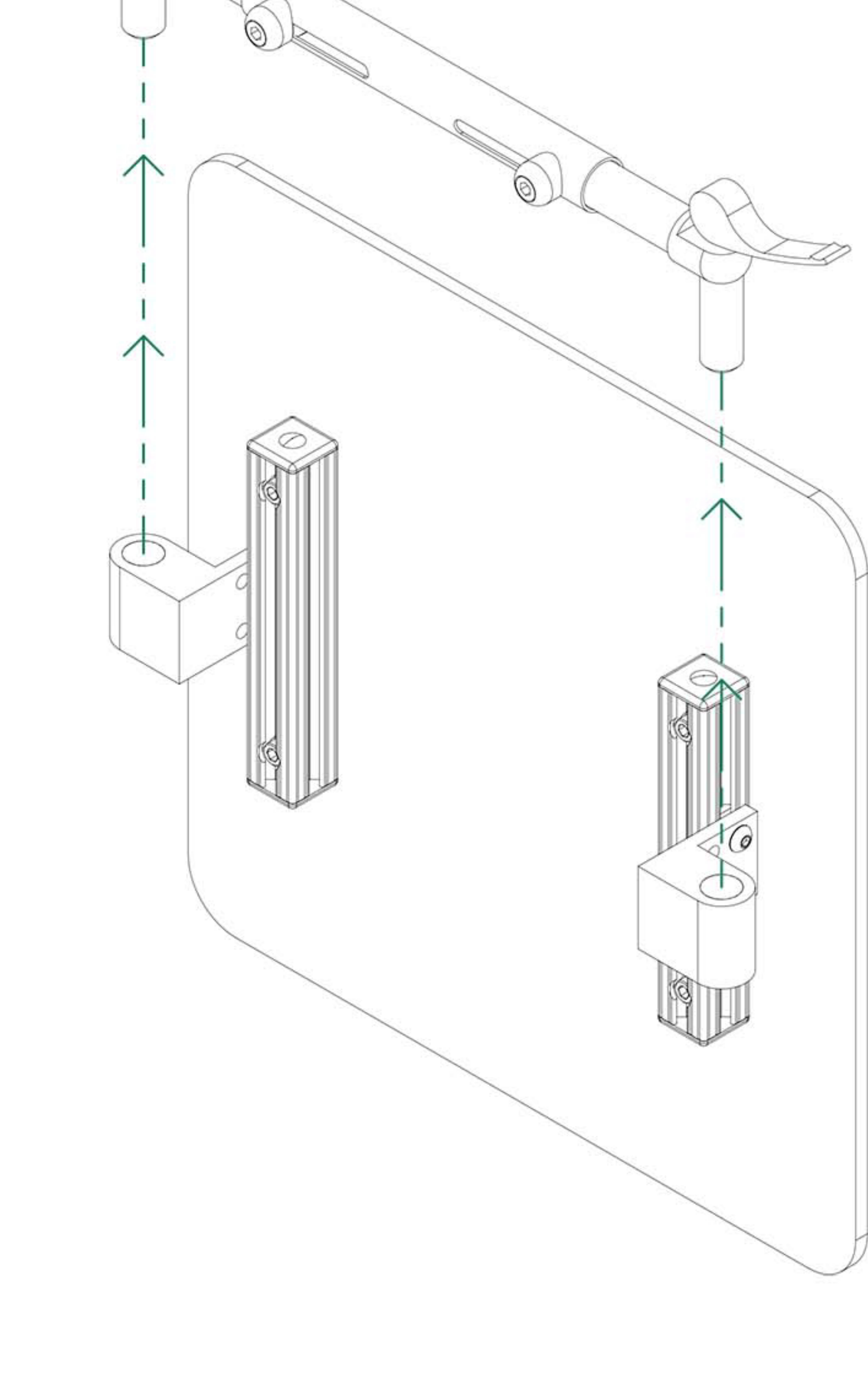


Ensure adjustability up and down after mounting. TIGHTEN in desired location.

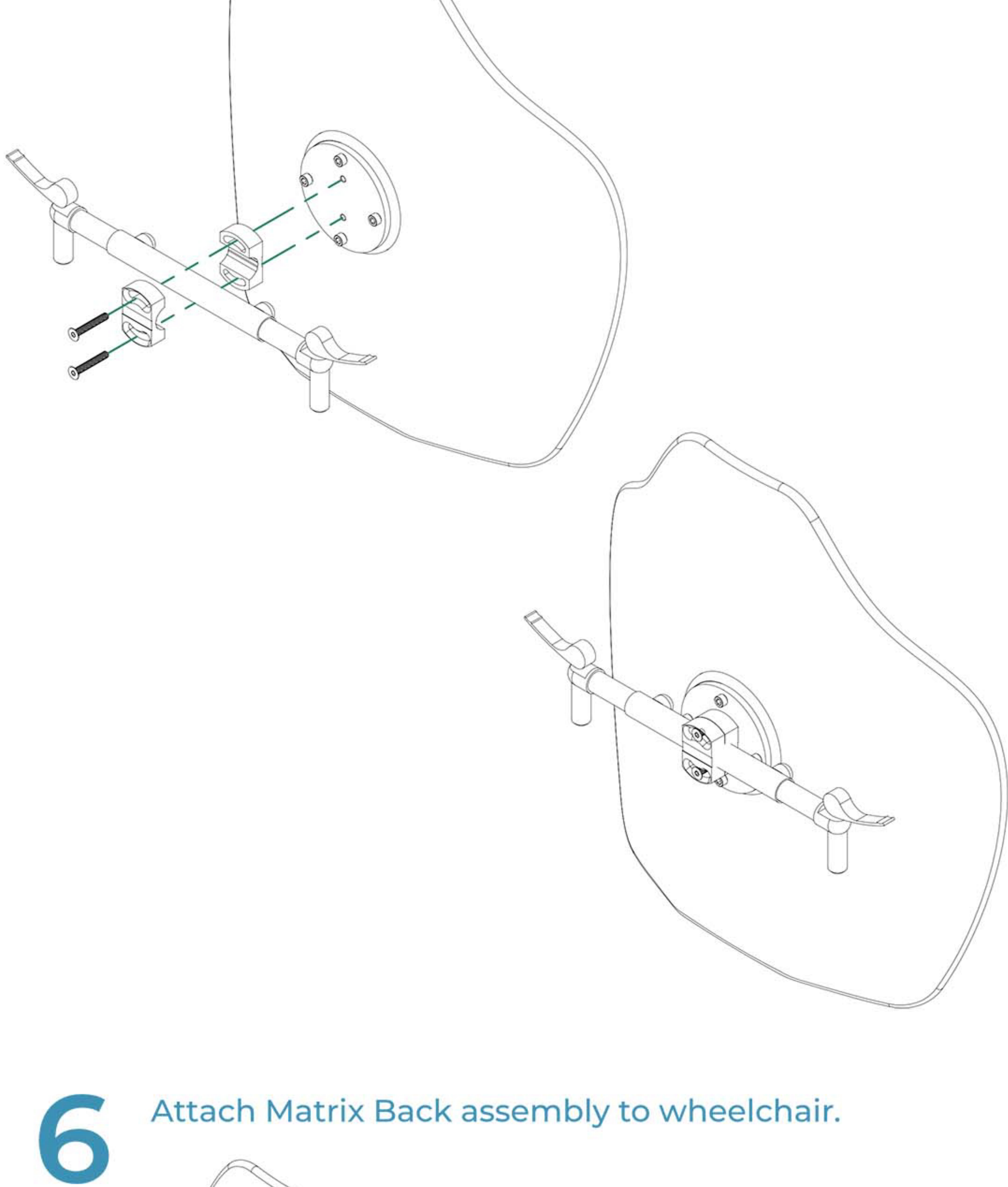
2x



4 Remove crossbar.



5 Re-attach lightweight hardware and adjust to desired location.



6 Attach Matrix Back assembly to wheelchair.

