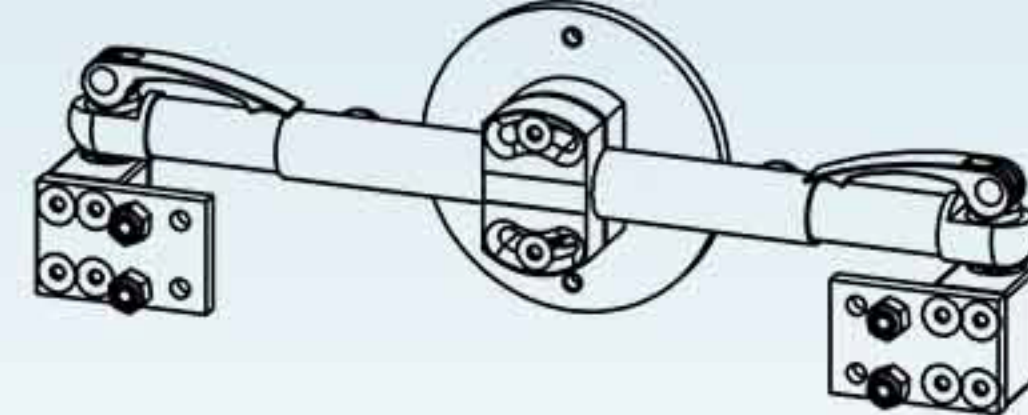
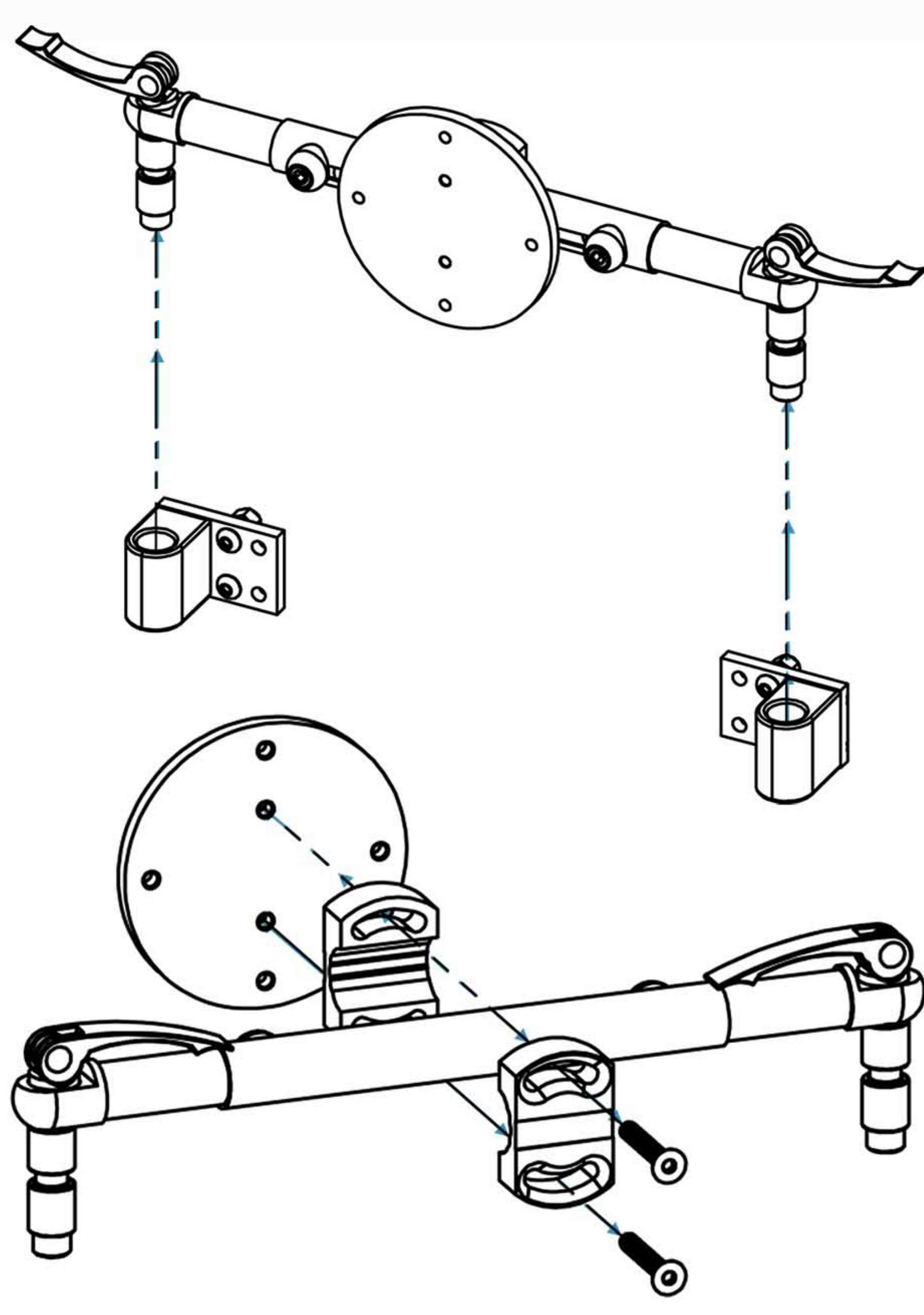


	Description	Qty.
A	Surface Mount	2
B	1/4 - 20 Lock Nut (4 Extra Provided)	8
C	Ultra Light Weight Mounting Hardware	1
D	Crossbar	1
E	1/4 - 20 Screw, 1/2" Length (4 Extra Provided)	8

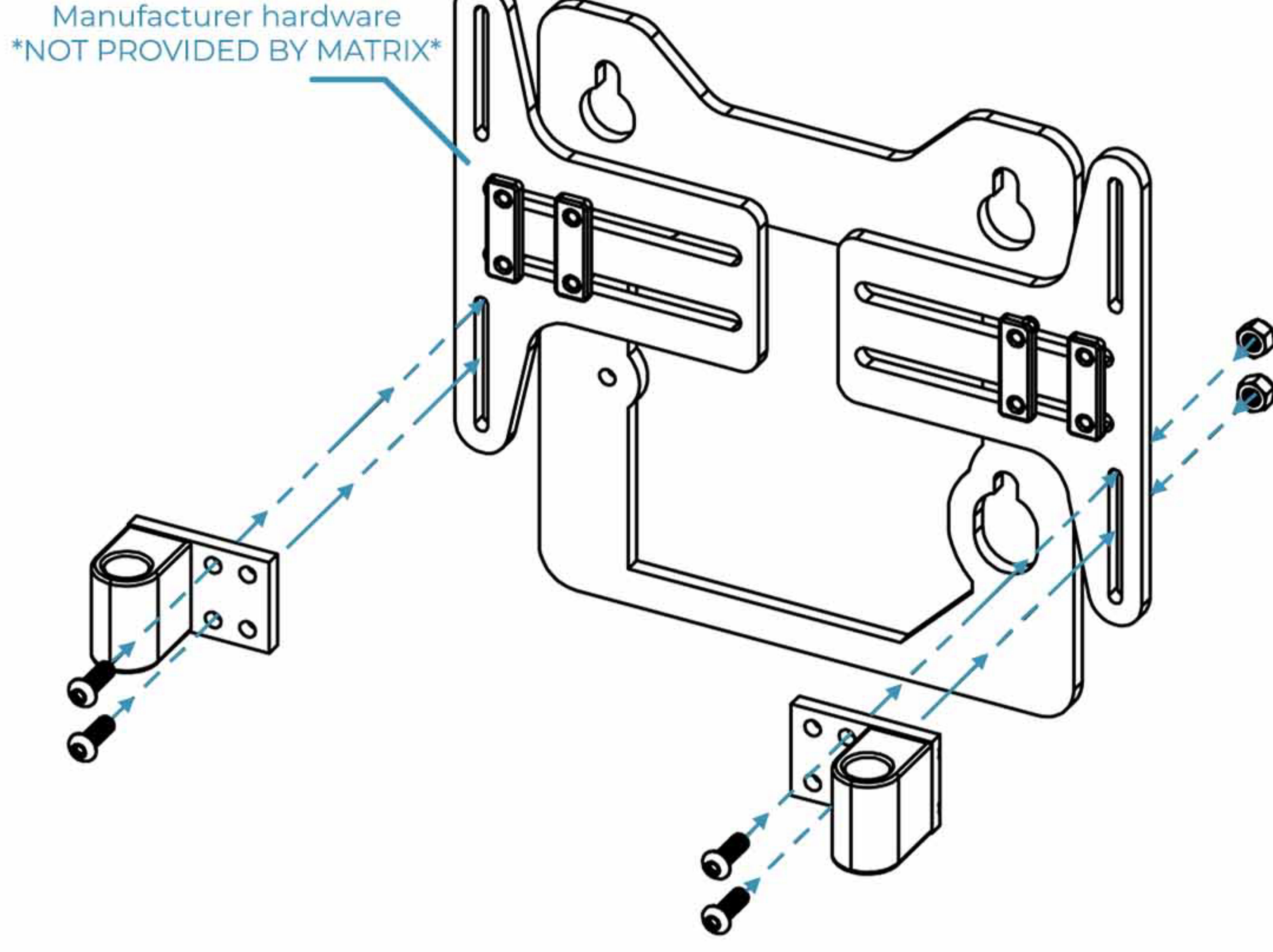
PWB as received:



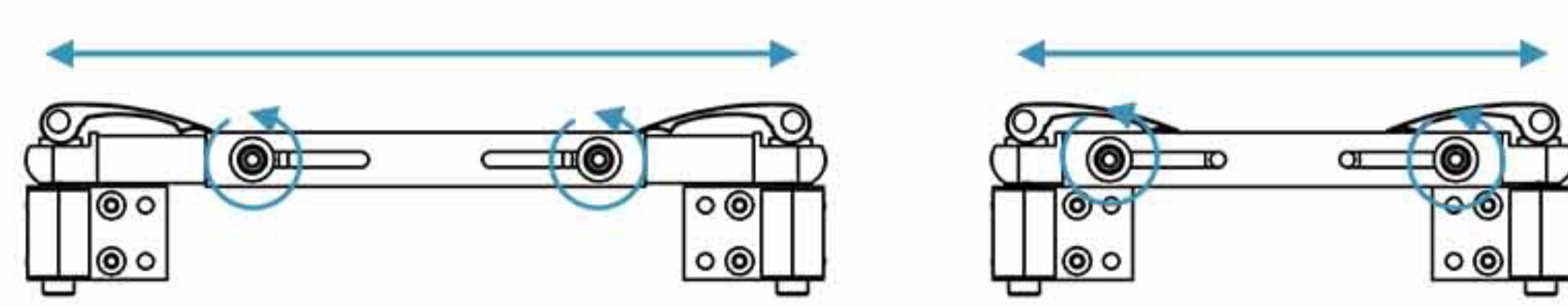
## 1 Remove lightweight hardware.



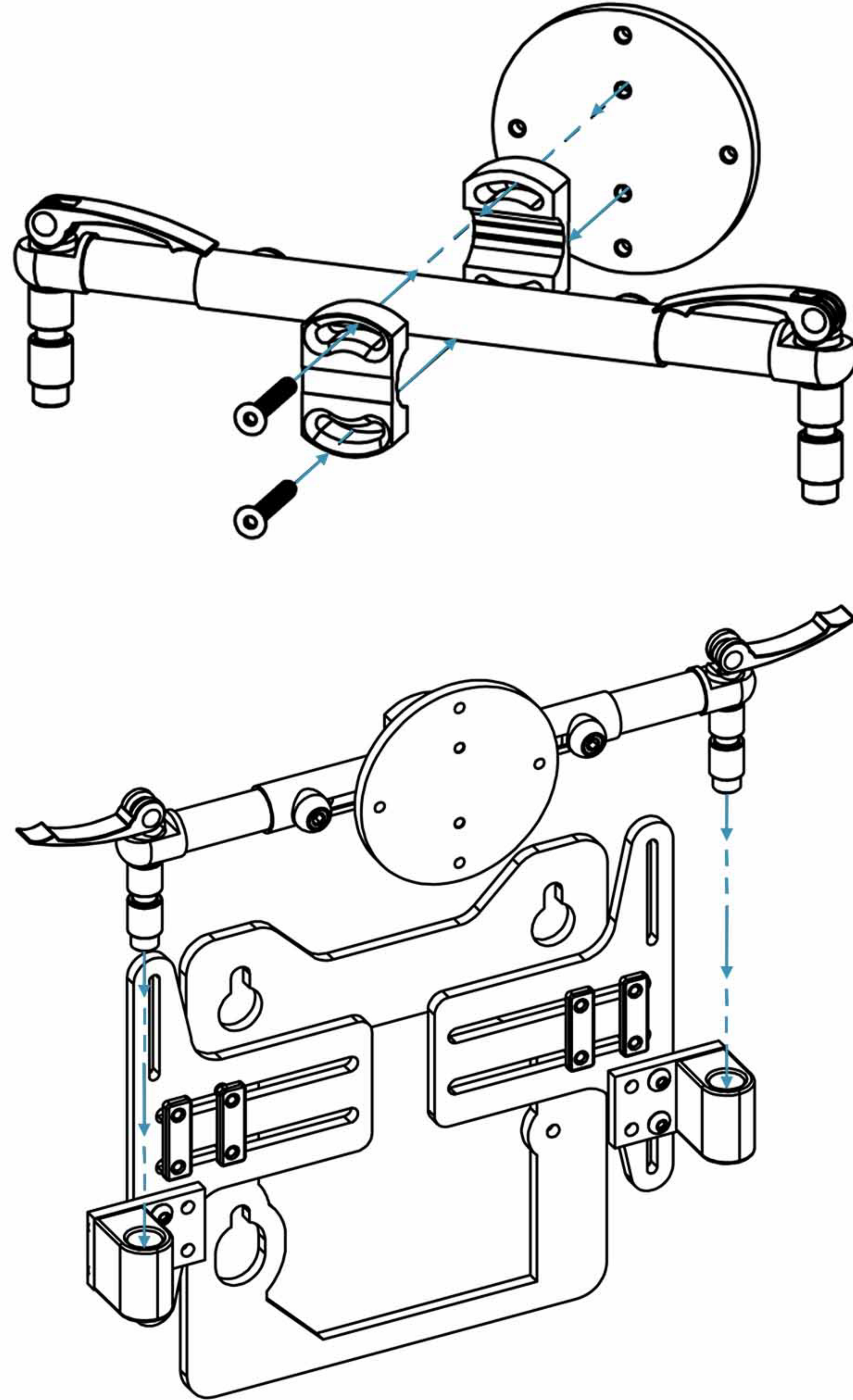
## 2 Fasten surface mounts to manufacturer provided hardware.



Adjust width of crossbar to fit fixed surface mounts.  
TIGHTEN ADJUSTMENT BOLTS AFTER POSITIONING.



## 3 Reattach lightweight hardware.



## 4 Secure Kipp levers.

