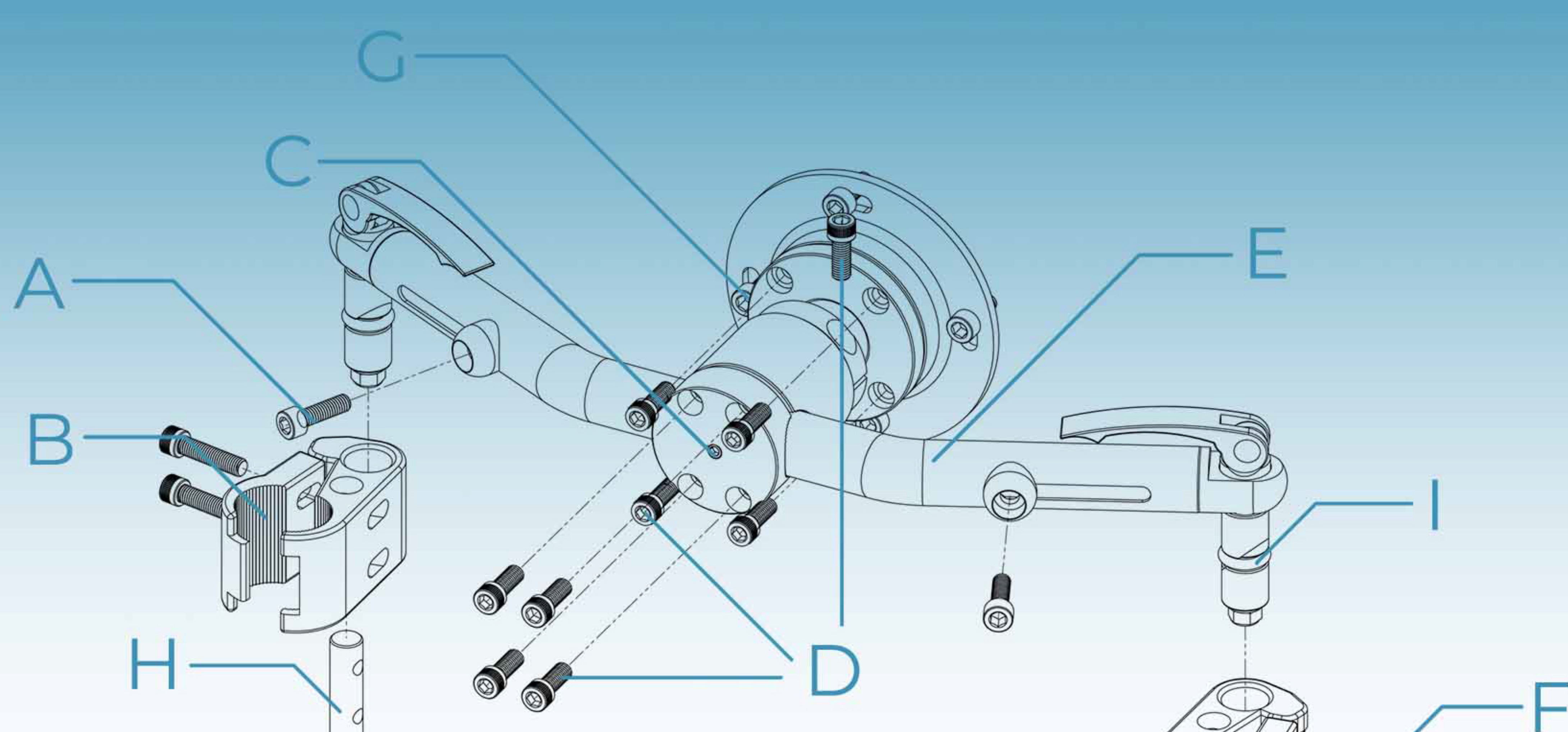


Radian 360 Installation Guide

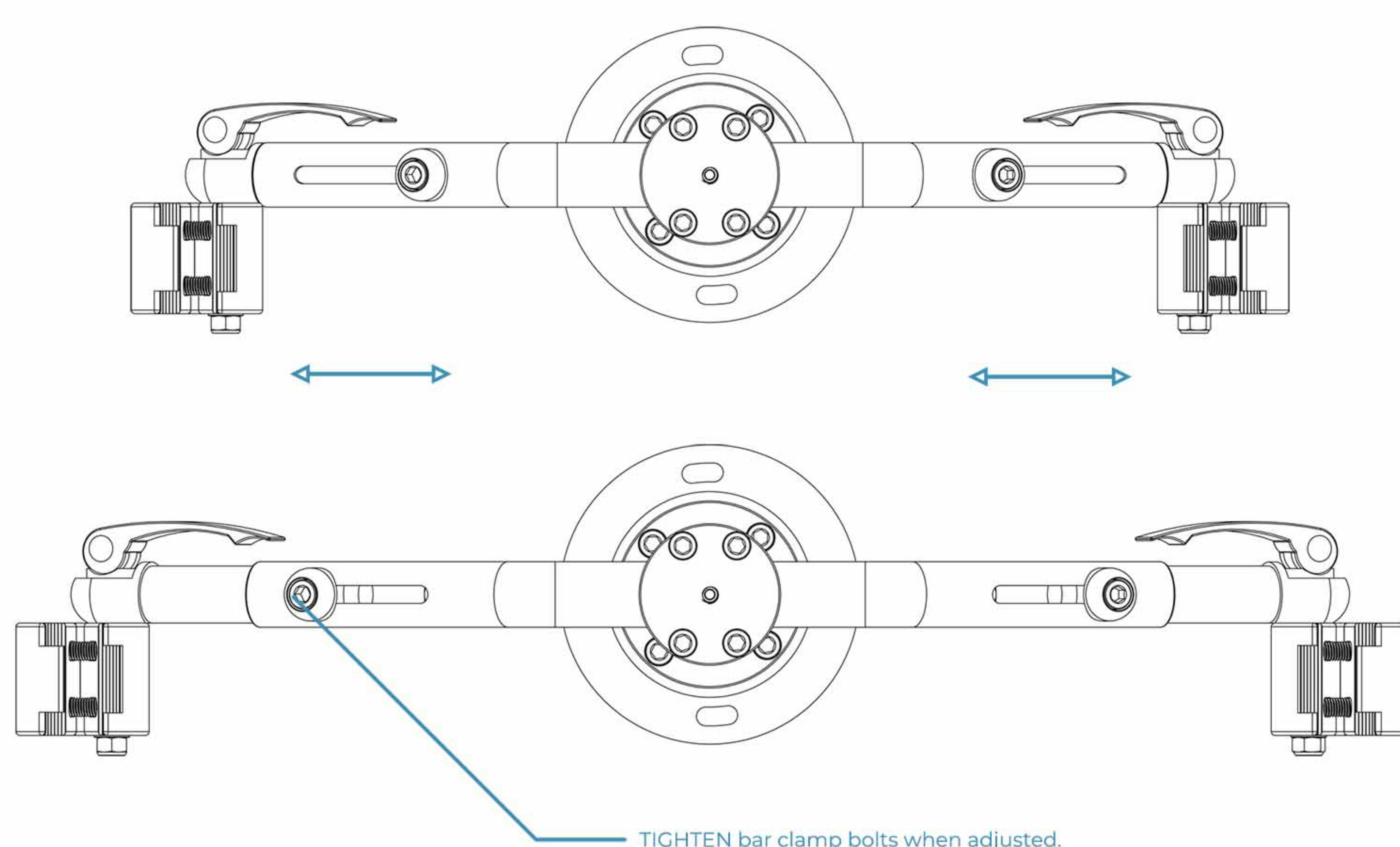


Description	Quantity
A M6x1mm x 20mm Adjustment Bolts	2
B Cane Claws	2
C 1/4"-20 x 1/4" Set Screw	1
D 1/4"-28 x 5/8" Adjustment Bolts	9
E Crossbar	1
F 1/4"-28 x 1" Claw Lock Bolts	4
G M6x1mm x 16mm Mount Bolts	4
H Cane Claw Shaft	2
I Rubber O-Ring 1/8" x 7/16" x 11/16"	2

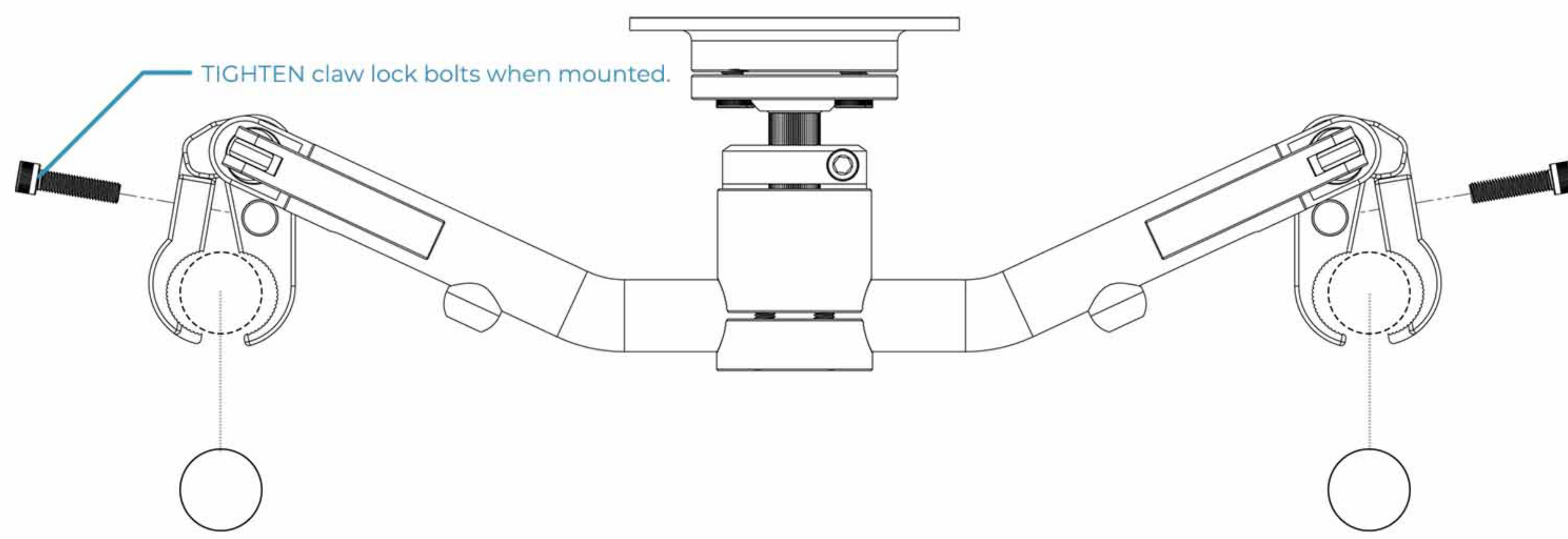
Radian as received:



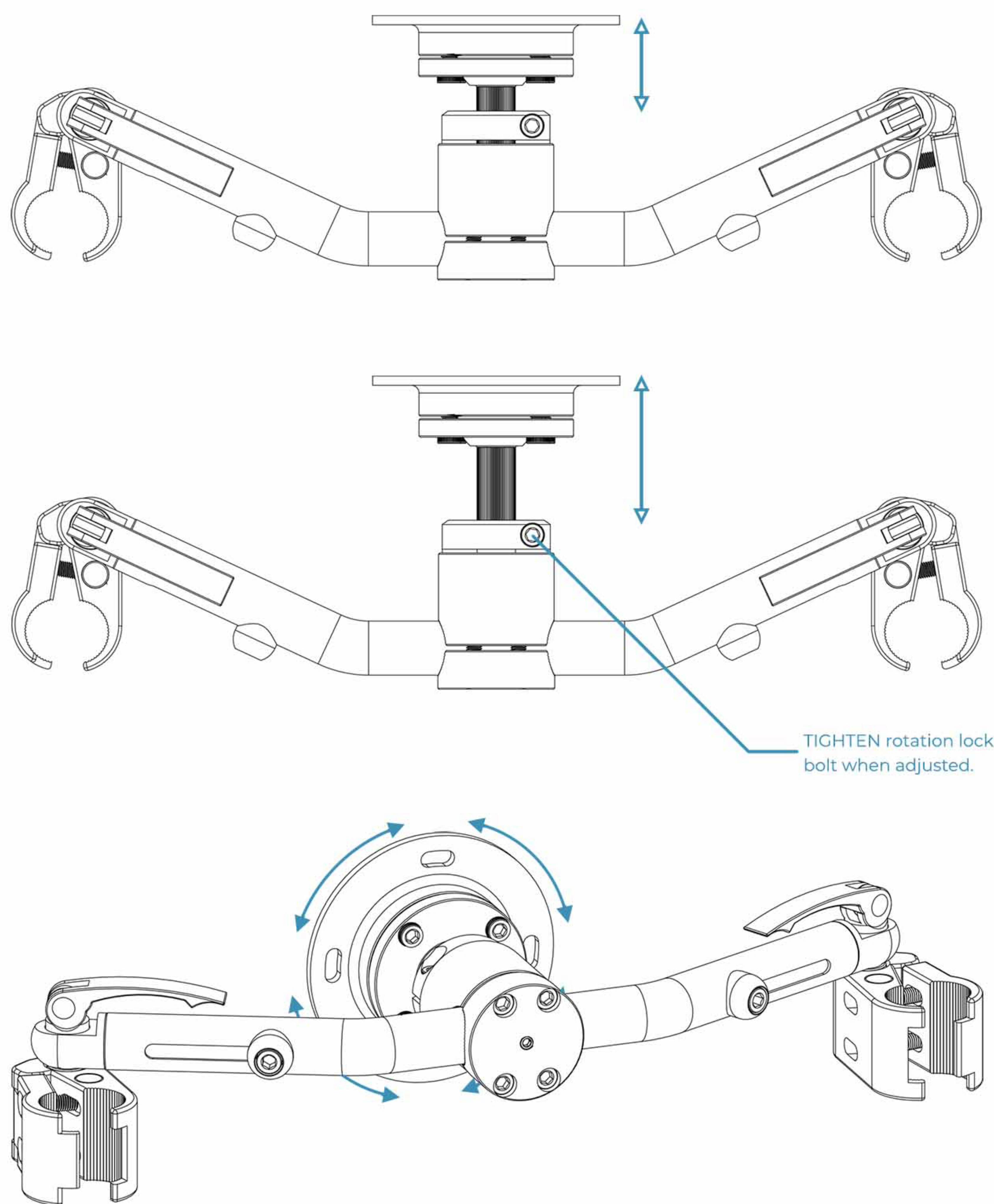
1 Adjust the width of the crossbar.



2 Secure cane claws to the wheelchair canes.



3 Adjust seat depth and rotation.



4 Adjust seat angle.

